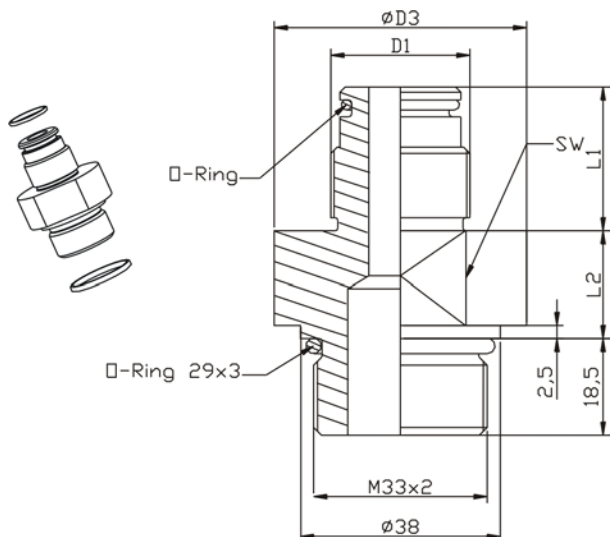
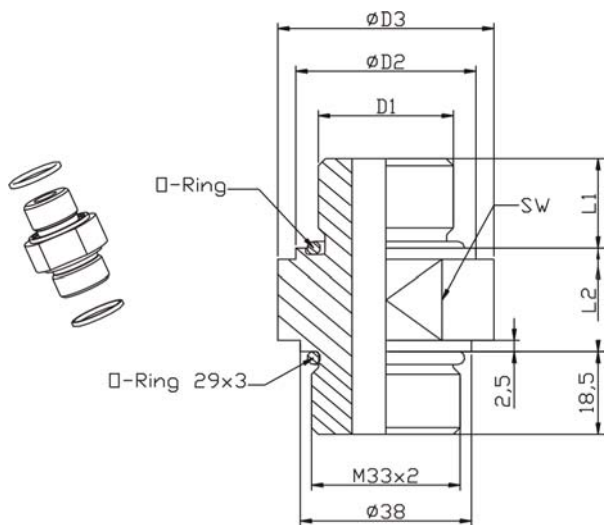


Speicher – Zubehör accessories

Speicheradapter zu Sicherheits- und Absperrblock DI 10-2 / DI 20-2 accumulator adaptor for safety block DI 10-2 / DI 20-2 Standard – Baureihe standard range



Design 1



Design 2

Betriebsüberdruck / MWP
 Normalstahl / NBR = 400 bar
 carbon steel / NBR = 400 bar

Material / materials
 Normalstahl / NBR
 carbon steel / NBR
 Andere Ausführungen auf Anfrage.
 Other versions on request.

Temperaturbereich / temperature range
 Normalstahl / NBR = -10 °C bis +70 °C
 carbon steel / NBR = -10 °C to +70 °C
 Andere Ausführungen auf Anfrage.
 Other versions on request.

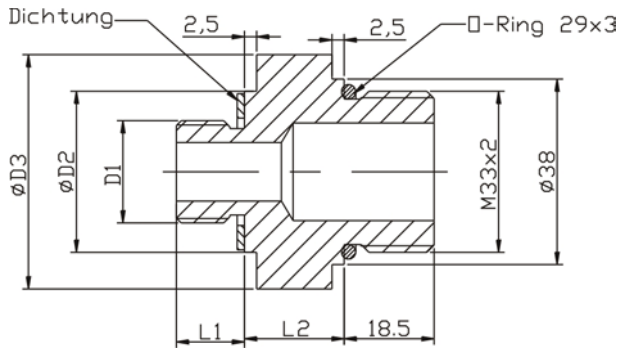
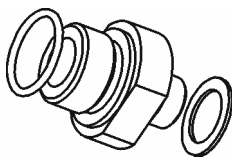
Die Dokumentation doc.5-100 ist zu beachten!
 Please note doc.5-100.

Adapter für Blasenpeicher
 adaptors for bladder accumulators

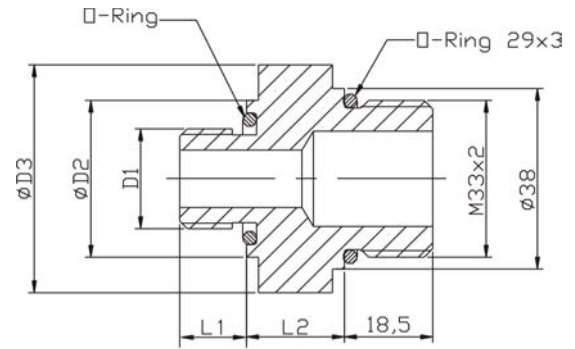
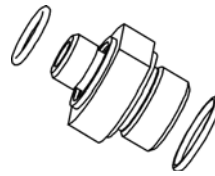
Adapter adaptor	Speicher-Typ accu type	Design	D1	SW	L1 (mm)	L2 (mm)	øD2 (mm)	øD3 (mm)	O-Ring
AS 10	IHV / EHV 0.5-1.6 L	1	G 3/4"	41	27.5	20.5		48	17x3
AS 11	IHV / EHV 1-5 high pressure		G 1"	46	32	19		53	22x3
AS 12	IHV / EHV 2.5-10 L (lg)		G 1 1/4"	50	37	19		55	30x3
AS 13	IHV / EHV 10-50 L		G 2"	65	44	14		75	48x3
AS 20		2	M30x1.5	41	20	23	40	48	32x2
AS 21			M40x1.5	55	20	23	54	65	43x3
AS 22			M50x1.5	65	20	23	64	75	53x3

0101 / 002.01

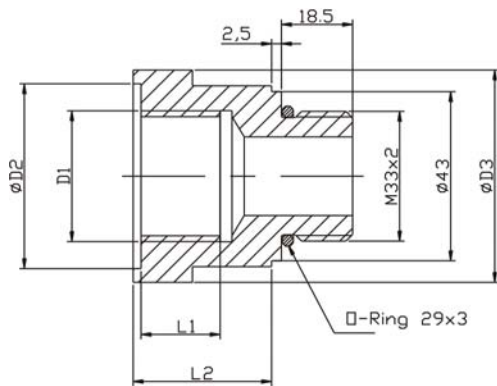
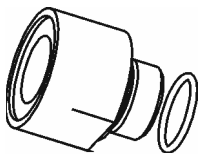
DI 10-2 und DI 20-2



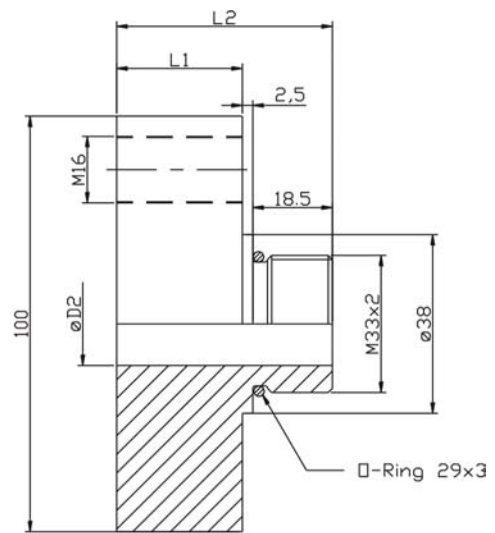
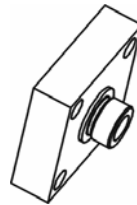
Design 3



Design 4



Design 5



Design 6

Adapter für Membranspeicher adaptor for diaphragm accu

Adapter adaptor	Speicher-Typ accu type	Design	D1	SW	L1 (mm)	L2 (mm)	øD2 (mm)	øD3 (mm)	O-Ring	Flachdichtung gasket
AS 30	OLM / ELM *	3	G 1/2"	41	14	20	33	48		usit 28,7x21,5x2,5
AS 31	OLM / ELM	3	G 3/4"	41	16	20	40	48		32x27x1,5
AS 32	OLM / ELM	4	G 1/2"	41	14	20	33	48	22x3	

*OLM / ELM 0,075-250; OLM / ELM 0,16-250; OLM / ELM 0,32-210

Sonderanschlüsse special connectors

Adapter adaptor	Speicher-Typ accu type	Design	D1	SW	L1 (mm)	L2 (mm)	øD2 (mm)	øD3 (mm)	O-Ring
AS 40		5	G 1"	46	21	37,5	47	54	29x3
AS 41		5	G1/2"	36	16	21	34	40	29x3
AS 42		*6			30	51	20		29x3